



[Home Page](#)

[Linear Potentiometers](#)

[Single-Turn Potentiometers](#)

[Multi-Turn Potentiometers](#)

[Turn-Counting Dials](#)

[Industrial Joystick Controls](#)

[Industrial Foot Controllers](#)

[Valve Actuators](#)

[ROHS/WEEE](#)

[Cross Reference](#)

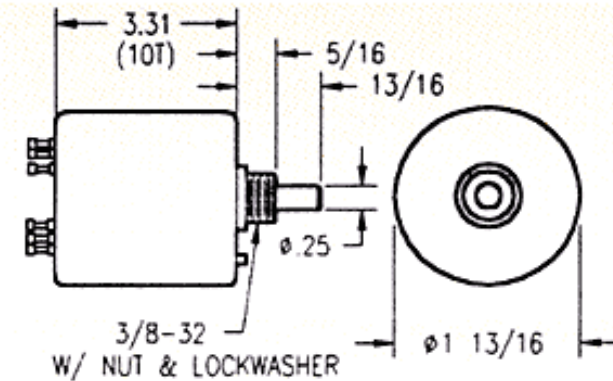
[ETI Systems Sales Reps](#)

[ETI Systems Distributors](#)

phone: 760.929.0749

eti@etisystems.com

SMR46 Wirewound Precision Multi-Turn Potentiometer



[Engineering Drawing \(PDF\)](#)

SMR46 Multi-Turn Potentiometer

- Standard as 3, 5, and 10 turn models.
- Wirewound Element. Aluminum Anodized Housing and Servo Lid.
- Snap Action Switches at Each End of Travel.
- Switches Isolated from Pot Circuit.
- Stainless Steel Shaft. Silver Plated Terminals. Bushing Bearings.
- Bushing Mount Standard. Servo Mount Available
- Recommended for Robotics, Heavy Equipment, and Industrial Applications.
- Life Expectancy: 2 million turns
- Resistance Tolerance: $\pm 3\%$ standard ($\pm 1\%$ special order)
- Linearity Tolerance: $\pm 0.3\%$ standard ($\pm 0.1\%$ special order)
- Power Rating: 5 Watts (10 turn) 2.5 Watts (5 turn) 2 Watts (3 turn)
- Rotational Torque: 28 oz. in.
- [Click here](#) for information on [Turn Counting Dials](#)



For Additional Product Information,
Refer to the [Multi-Turn Potentiometer Design Guide](#)

Request For Quotation (Requires User Registration)

Electrical Specifications:

Resistance Value (0.5 to 1M ohms available)

Mechanical Options:

- **B** Bushing Mount - or -
 - **S** Servo Mount (special order)
Number of Turns (10 turns standard)
 - **SS** O-Ring Shaft Seal (special order)
 - **SB** Sealed Body (special order)
-

Comments & Special Requirements:

Quantity Required

Date Required

Return to: [Multi-Turn Potentiometer Selection Guide](#)

Call ETI Systems at **(760)929-0749** to order by phone
or for assistance with your custom application